

Coronet RD Series

Riding Mowers

15.5HP Product

Mfg. No.	Description
----------	-------------

7800354	Coronet RD, 15.5HP Hydro (CE)
---------	-------------------------------

7800355	Coronet RD, 15.5HP Hydro (CE, FR)
---------	-----------------------------------

17.5HP Product

Mfg. No.	Description
----------	-------------

7800358	Coronet RD, 17.5HP Hydro (CE)
---------	-------------------------------

7800359	Coronet RD, 17.5HP Hydro (CE, FR)
---------	-----------------------------------

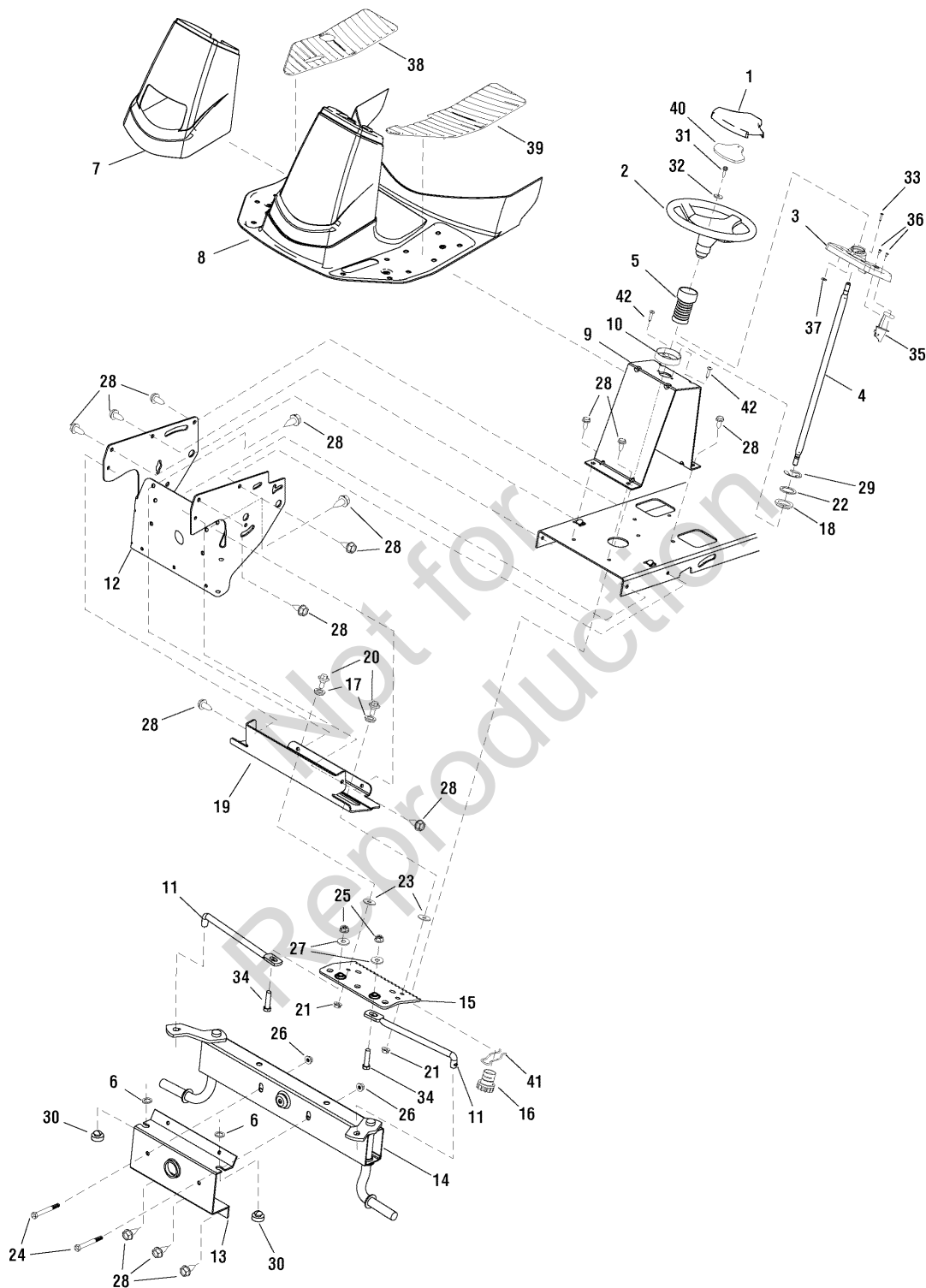
Not for
Reproduction

PRODUCT COMPONENTS	PAGES
Steering Group	4
Engine & Electric Clutch Group - Briggs & Stratton	6
Drive Group	8
Electrical Group	12
Seat, Body, Dash & Fuel Tank Group	14
Wheel & Tire Group	16
Decals Group - Brand & Model	18
Decals Group - Common & Safety	20
Bagger Group	22
33" Mower Deck - Arbors Group	24
33" Mower Deck - Housing & Arbors Group	26
Torque Specification Chart	Inside Back Cover

Not for
Reproduction

Steering Group

NOTE: Unless noted otherwise,
use the standard hardware torque
specification chart.



The above parts group applies to the following Mfg. Nos.:

- 7800354 - Coronet RD
- 7800355 - Coronet RD
- 7800358 - Coronet RD
- 7800359 - Coronet RD

Steering Group

REF NO	PART NO.	QTY.	DESCRIPTION
1	729275	1	COVER, INTEGRA
2	727627	1	ST WHEEL INTEGRA - HARD
3	885022	1	FOOTREST CAP
4	885106	1	SHAFT, STEERING - LONG
5	720563	1	BELLOWS
6	720173	2	WASHER.54.81 16G FLT
7	885062	1	FOOTREST SLEEVE - SIMPLICITY
8	885002	1	FOOTREST - PLASTIC
9	721950A	1	SUPPORT, STEERING
10	721966	1	BEARING, UPPER STEERING
11	726537A	2	LINK, DRAG
12	885036A	1	BRACKET, SUPPORT
13	729342A	1	BRACKET, AXLE FRONT
14	885081A	1	AXLE AND SPINDLE ASSY
15	721949A	1	RACK, STEERING
16	721971	1	GEAR, PINION
17	721973	2	ROLLER
18	721970	1	BEARING, LOWER STEERING
19	727201A	1	PLATE, GEAR MTG.
20	720107	2	BOLT, SHOULDER
21	720145	2	NUT.31-18 HEX FLG CTRLKZ
22	722584	1	WASHER-1-1.3 16G FLT
23	722622	2	WASHER, .328X1.062X.062 Z
24	720211	2	BOLT-HEX.31-24X2.75 PLAIN
25	720142	2	NUT.38-16 HEX FLG CTRLKZ
26	722395	2	NUT.31-24 FLANGELOCK Z-BL
27	722580	2	WASHER.39-1. 14G FLT
28	722858	13	SCREW-.312-18X.75
29	720117	1	RING- -E-1.00D-.050T
30	727875	2	BUMPER-FRONT AXLE EPDM
31	720042	1	SCREW-THD.FORM.HEX.
32	722593	1	WASHER.34-1.2 11G FL
33	722863	1	SCREW
34	720192	2	BOLT-HEX.38-16x1.50 Z
35	885110	1	THROTTLE CONTROL
36	722841	2	SCREW Z/BL CHROMATE
37	885118	1	TINNERMAN CLIP
38	885102	1	FLOORMAT, RH
39	885103	1	FLOORMAT, LH
40	885223A	1	STEERING SUPPORT PLATE
41	721246	1	RETAINER - SPRING
42	729075	2	SCREW-TAPPING 10-16

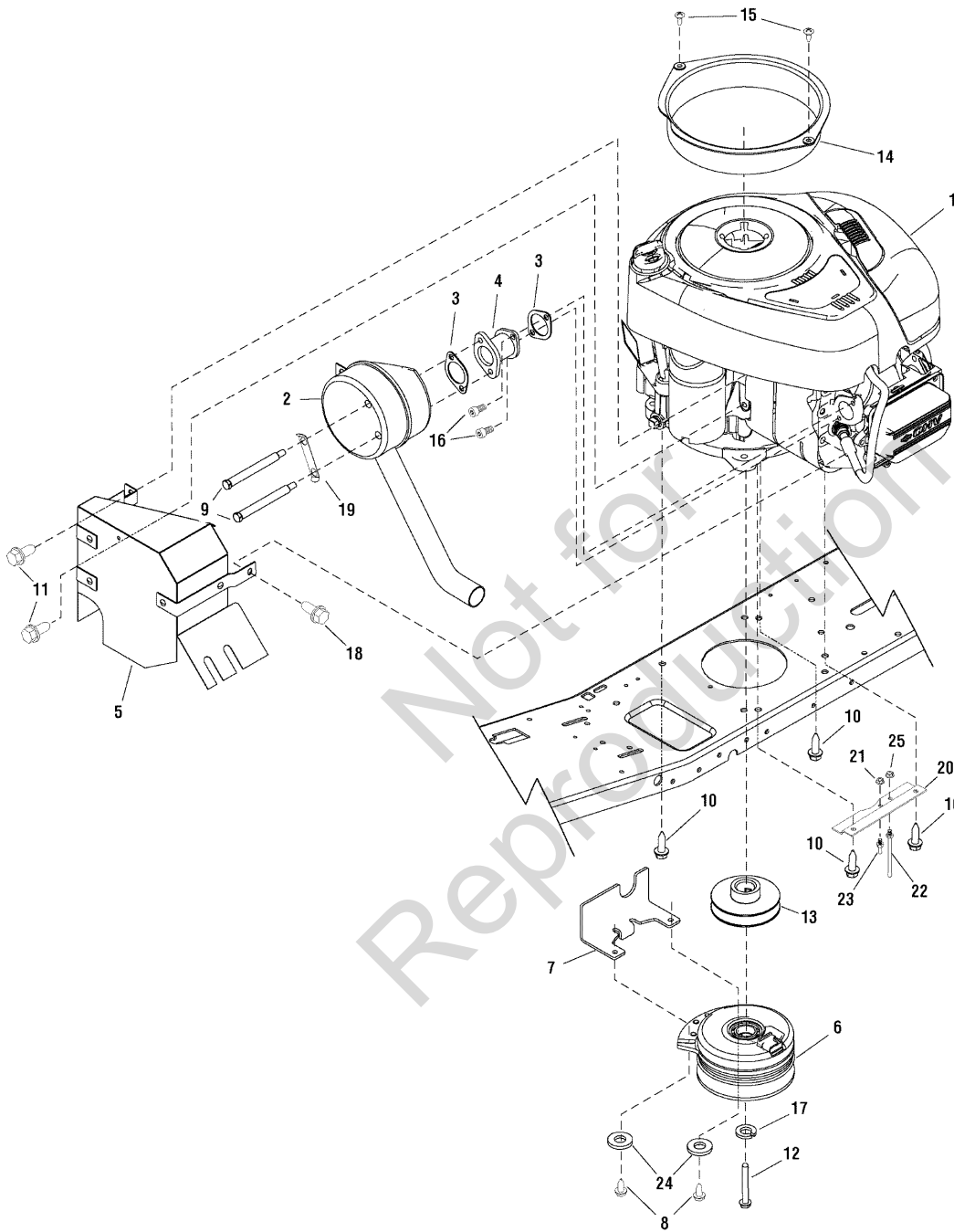
Footnotes

The above parts group applies to the following Mfg. Nos.:

7800354 - Coronet RD
7800355 - Coronet RD
7800358 - Coronet RD
7800359 - Coronet RD

Engine & Electric Clutch Group - Briggs & Stratton

NOTE: Unless noted otherwise,
use the standard hardware torque
specification chart.



The above parts group applies to the following Mfg. Nos.:

- 7800354 - Coronet RD
- 7800355 - Coronet RD
- 7800358 - Coronet RD
- 7800359 - Coronet RD

Engine & Electric Clutch Group - Briggs & Stratton

REF NO	PART NO.	QTY.	DESCRIPTION
1	*	1	ENGINE - 15.5HP Briggs & Stratton Model 31A677, Type 0136-B1 For use on models 7800354 & 7800355
1	*	1	ENGINE - 17.5HP Briggs & Stratton Model 31A677, Type 0153-B1 For use on models 7800358 & 7800359
-	720393	3	TIE,STRAP-BLACK-5.38
2	885011	1	MUFFLER
3	720881	2	GASKET 272293
4	721405	1	ADAPTOR, MUFFLER
5	885128	1	ASSY-HEAT SHIELD
6	885107	1	ELECTRIC CLUTCH
7	885056A	1	ELEC PTO TORQUE STRAP
8	722858	2	SCREW
9	720105	2	BOLT - SHOULDER
10	720045	4	ENG. BOLT -3/8 X1.25
11	720664	2	SCREW.32-18X .88 HHWATAP
12	1960370	1	BOLT-HEX.43-20X2.50 Z-NYL
13	885096	1	STACK PULLEY M/D
14	885063	1	BAFFLE - ENGINE
15	720095	2	SHOULDER SCREW
16	720663	2	5/16-18 SOCKET HEAD
17	1918199	1	WASHER, LOCK
18	722866	1	SCREW.25-20X0.59 HEX
19	721064	1	LOCK-SCREW 223016
20	885041A	1	PLATE, BELT GUIDE
21	720139	1	NUT.31-18 HEX FLG SERLKZ
22	885078A	1	GUIDE, BELT LONG
23	885077	1	GUIDE, BELT SHORT
24	720163	2	WASHER .34.62 16G FLT
25	720146	1	NUT - 1/4-20

Footnotes

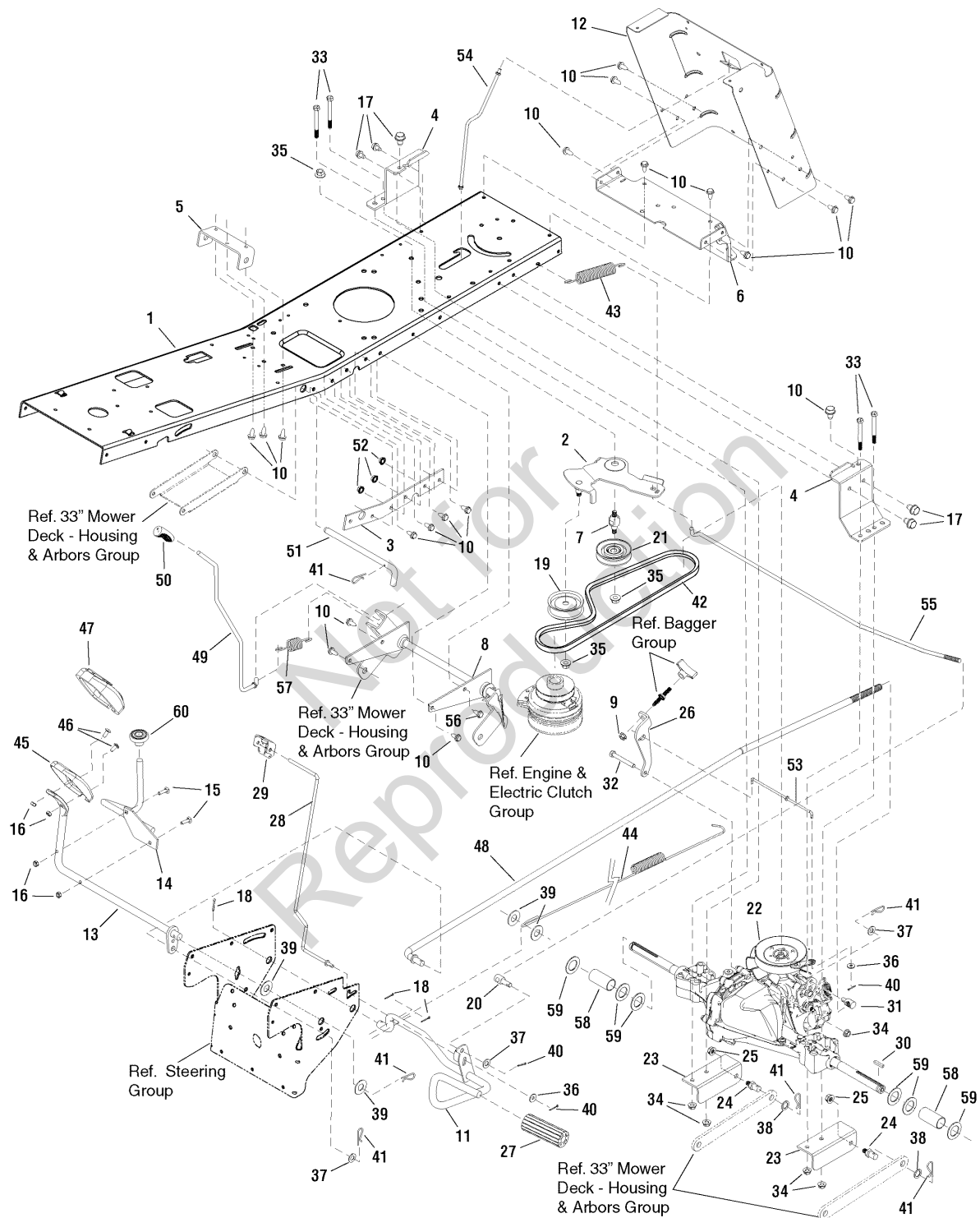
Note* See your local Briggs & Stratton distributor for parts & service.

The above parts group applies to the following Mfg. Nos.:

7800354 - Coronet RD
 7800355 - Coronet RD
 7800358 - Coronet RD
 7800359 - Coronet RD

Drive Group

NOTE: Unless noted otherwise, use the standard hardware torque specification chart.



The above parts group applies to the following Mfg. Nos.:

- 7800354 - Coronet RD
- 7800355 - Coronet RD
- 7800358 - Coronet RD
- 7800359 - Coronet RD

Drive Group

REF NO	PART NO.	QTY.	DESCRIPTION
1	885058A	1	FRAME CHANNEL - PREMIUM
2	885069A	1	ARM - IDLER PULLEY ASSY
3	885168A	1	PLATE - REINFORCEMENT
4	885034A	2	BRACKET, TRANSAXLE
5	726515A	1	BRKT, FRONT HANGER PIVOT
6	727241A	1	PLATE, HITCH
7	885064	1	M/D IDLER STUD
8	885074A	1	WW LIFTER ASSEMBLY
9	720145	1	NUT.31-18 HEX FLG CTRLKZ
10	722858	18	SCREW-. 312-18X.75
11	885068A	1	WS ASM. PEDAL C/B
12	885116A	1	PLATE, REAR
13	885070A	1	WW HYDRO ARM ASSY
14	885089A	1	WW REVERSE PEDAL ASSY
15	720065	2	BOLT, CARRIAGE 1/4"
16	720133	4	NUT, 1/4"
17	720358	5	SCREW-.312-18X.75
18	720389	3	PIN, COTTER
19	722031	1	PULLEY - IDLER - BACKSIDE
20	721353	1	NUT-ADJUSTING
21	722009	1	IDLER PULLEY - FIXED
22	885030	1	TRANSMISSION - HYDRO GEAR
23	885053A	2	BRKT, REAR HANGER R.H.
24	721221	2	PIN - THREADED SHLDR
25	720142	2	NUT.38-16 HEX FLG CTRLKZ
26	885031A	1	BRKT - TORQUE STRAP
27	720257	1	CLUTCH & BRAKE PEDAL
28	885104	1	ROD, PARKING BRAKE
29	885026	1	PARKING BRAKE KNOB
30	720650	2	SQUARE KEY
31	885076	1	ADJUSTING NUT
32	720215	1	BOLT-HEX .31-18X2.50 P&OIL
33	720216	4	BOLT-HEX .31-18X3.00PO&L
34	720145	4	NUT.31-18 HEX FLG CTRLKZ
35	720148	3	NUT.38-16 FLANGELOCK ZINC
36	720159	2	WASHER .26.75 16G FLT
37	720166	3	WASHER
38	720173	2	WASHER .54.81 16G FLT
39	727938	4	WASHER
40	720387	3	PIN,COTTER .094x0.75L
41	720069	5	PIN-HAIR .56D-.092T
42	885015	1	BELT - 33" DRIVE

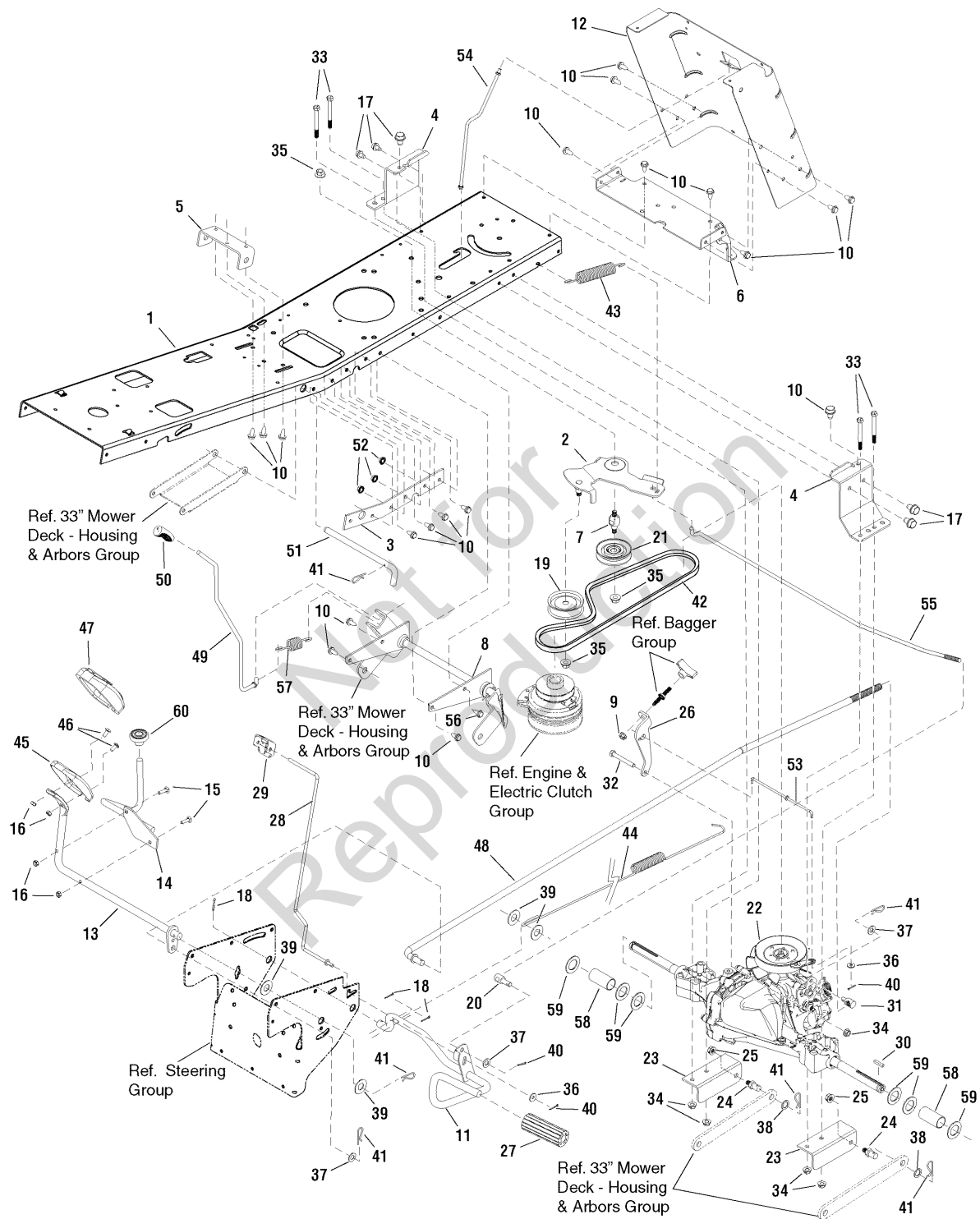
Footnotes

The above parts group applies to the following Mfg. Nos.:

7800354 - Coronet RD
7800355 - Coronet RD
7800358 - Coronet RD
7800359 - Coronet RD

Drive Group

NOTE: Unless noted otherwise, use the standard hardware torque specification chart.



The above parts group applies to the following Mfg. Nos.:

- 7800354 - Coronet RD
- 7800355 - Coronet RD
- 7800358 - Coronet RD
- 7800359 - Coronet RD

Drive Group

REF NO	PART NO.	QTY.	DESCRIPTION
43	722446	1	SPRING, EXT
44	885017	1	SPRING - EXTENSION BRAKE
45	885037A	1	HYDRO PEDAL
46	720048	2	CARRIAGE BOLT
47	885086	1	PAD, HYDRO PEDAL
48	885055	1	ROD - SHIFT LINK
49	885048	1	LEVER, LIFT DECK
50	727798	1	GRIP .50 DELUXE- BLACK
51	721979	1	HANGER - PIN
52	720139	4	NUT. 31-18 HEX FLG SERLKZ
53	885059	1	ROD - ROLL RELEASE
54	885095	1	ROD, BATTERY
55	727869	1	ROD - CLUTCH LINK
56	722867	1	SCREW
57	727619	1	SPRING, EXTENSION
58	725228	2	SPACER
59	722598	6	WASHER
60	885079	1	HYDRO REVERSE PEDAL PAD

Not for
Reproduction

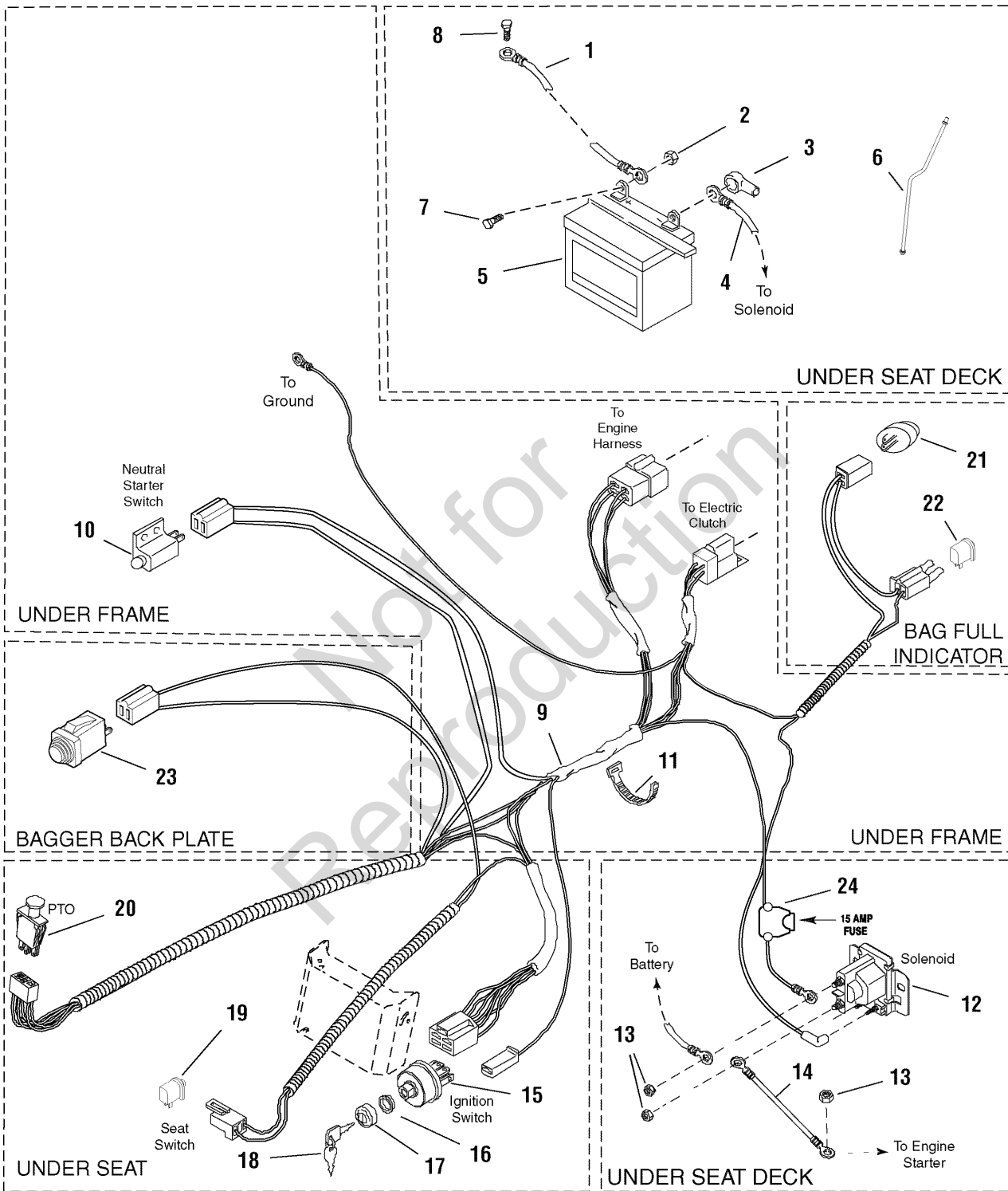
Footnotes

The above parts group applies to the following Mfg. Nos.:

7800354 - Coronet RD
7800355 - Coronet RD
7800358 - Coronet RD
7800359 - Coronet RD

Electrical Group

NOTE: Unless noted otherwise, use the standard hardware torque specification chart.



The above parts group applies to the following Mfg. Nos.:

- 7800354 - Coronet RD
- 7800355 - Coronet RD
- 7800358 - Coronet RD
- 7800359 - Coronet RD

Electrical Group

REF NO	PART NO.	QTY.	DESCRIPTION
1	729388	1	Battery Cable - Negative
2	720123	2	Wingnut
3	720588	1	Boot - Battery - Pos
4	720345	1	Battery Cable - Positive
5	1740463	1	Battery
6	885095	1	Rod, Battery
7	720057	2	Bolt - Carriage
8	722851	2	Screw
9	885113	1	Wire Harness
10	1001575	1	Limit Switch
11	720393	3	Tie Strap
12	721615	1	Solenoid
13	722393	3	Nut
14	720348	1	Cable - Sol. to Starter
15	721108	1	Ignition Switch
16	720889	1	Nut - Ignition Switch
17	727338	1	Cap - Ignition
18	720240	2	Keys
19	1720411	2	Seat Switch
20	1722887	1	PTO Switch
21	885154	1	BUZZER
22	1720411	1	SWITCH - BAG FULL
23	727831	1	BAGGER SWITCH
24	722977	1	FUSE - 15 Amp

Not for
Reproduction

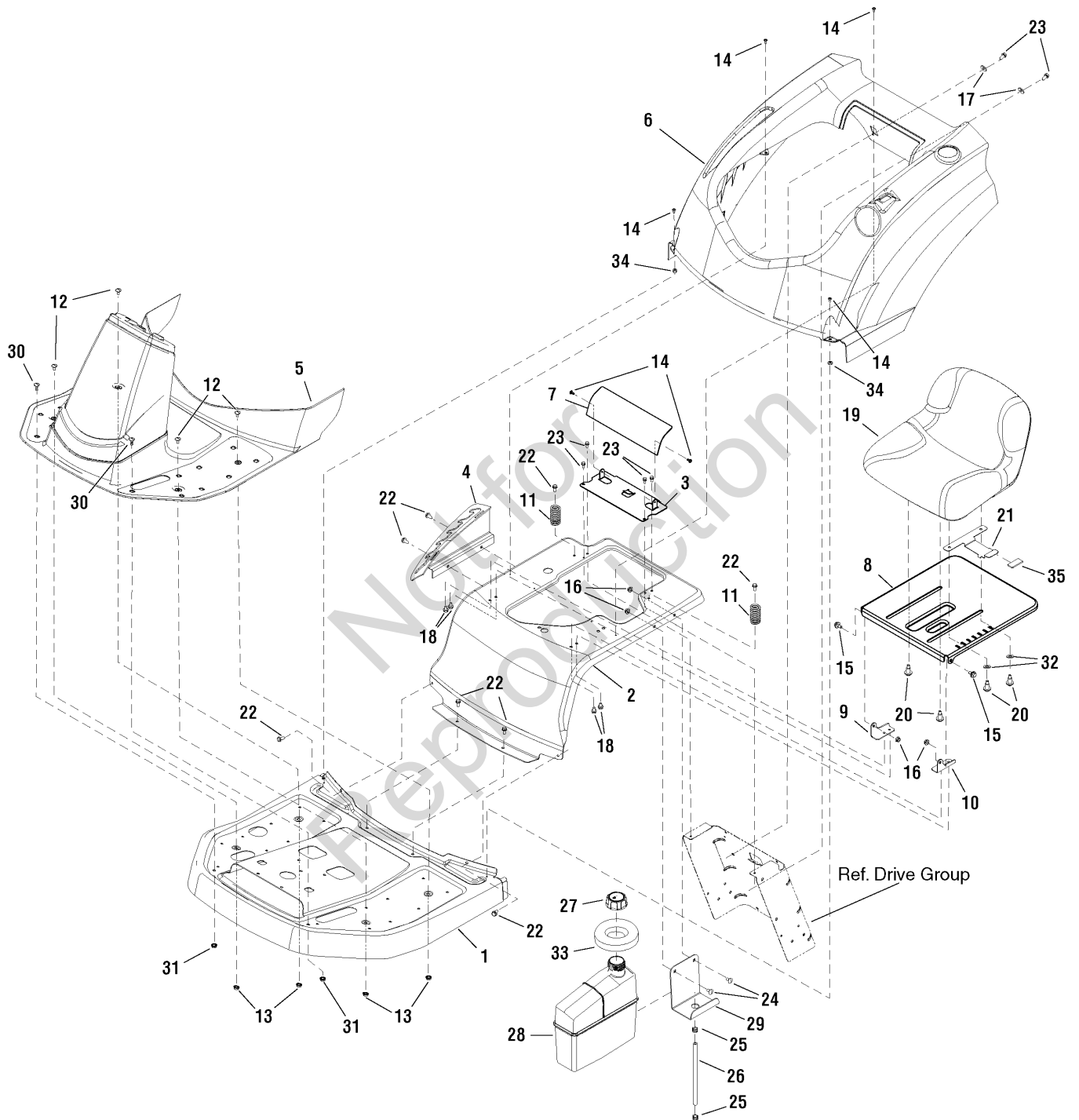
Footnotes

The above parts group applies to the following Mfg. Nos.:

7800354 - Coronet RD
7800355 - Coronet RD
7800358 - Coronet RD
7800359 - Coronet RD

Seat, Body, Dash & Fuel Tank Group

NOTE: Unless noted otherwise,
use the standard hardware torque
specification chart.



The above parts group applies to the following Mfg. Nos.:

- 7800354 - Coronet RD
- 7800355 - Coronet RD
- 7800358 - Coronet RD
- 7800359 - Coronet RD

Seat, Body, Dash & Fuel Tank Group

REF NO	PART NO.	QTY.	DESCRIPTION
1	885003C	1	FOOTREST
2	885001A	1	SEAT SUPPORT
3	885009A	1	SEAT SUPPORT COVER
4	885091A	1	DECK LIFT INDEX ASSY
5	885002	1	FOOTREST - PLASTIC
6	885024	1	BODY - PLASTIC - SIMPLICITY
7	885027	1	BATTERY COVER - SIMPLICITY
8	885010A	1	SEAT BRACKET
9	885060A	1	SEAT SUPT. BRKT. RH
10	885061A	1	SEAT SUPT. BRKT. LH
11	722411	2	SPRING - SEAT
12	720049	4	BOLT-CRG.31-18X1.12
13	720139	4	NUT
14	720095	6	BOLT, SHOULDER SELF TAP
15	720102	2	BOLT-SHD .32-18X .375D
16	720145	4	NUT
17	720159	2	WASHER
18	720358	4	SCREW
19	885172	1	SEAT - PREMIUM
20	885108	4	SHOULDER BOLT
21	885100A	1	LEVER - SEAT ADJ.
22	722858	8	SCREW-.312-18X.75
23	722866	6	SCREW .25-20x0.59 HEX
24	720049	2	CARRIAGE BOLT
25	721403	2	HOSE CLAMP - YELLOW
26	729007	1	FUEL LINE
27	727333	1	FUEL CAP
28	885006	1	TANK, FUEL 1.6 GAL.
29	885101A	1	BRACKET, FUEL TANK
30	720048	2	BOLT, CARRIAGE 1/4"
31	720132	2	NUT
32	720173	2	WASHER .54.81 16G FLT
33	721609	1	FOAM BAFFLE
34	720140	4	NUT
35	885215	1	GRIP - SEAT ADJ. LEVER

Footnotes

The above parts group applies to the following Mfg. Nos.:

7800354 - Coronet RD

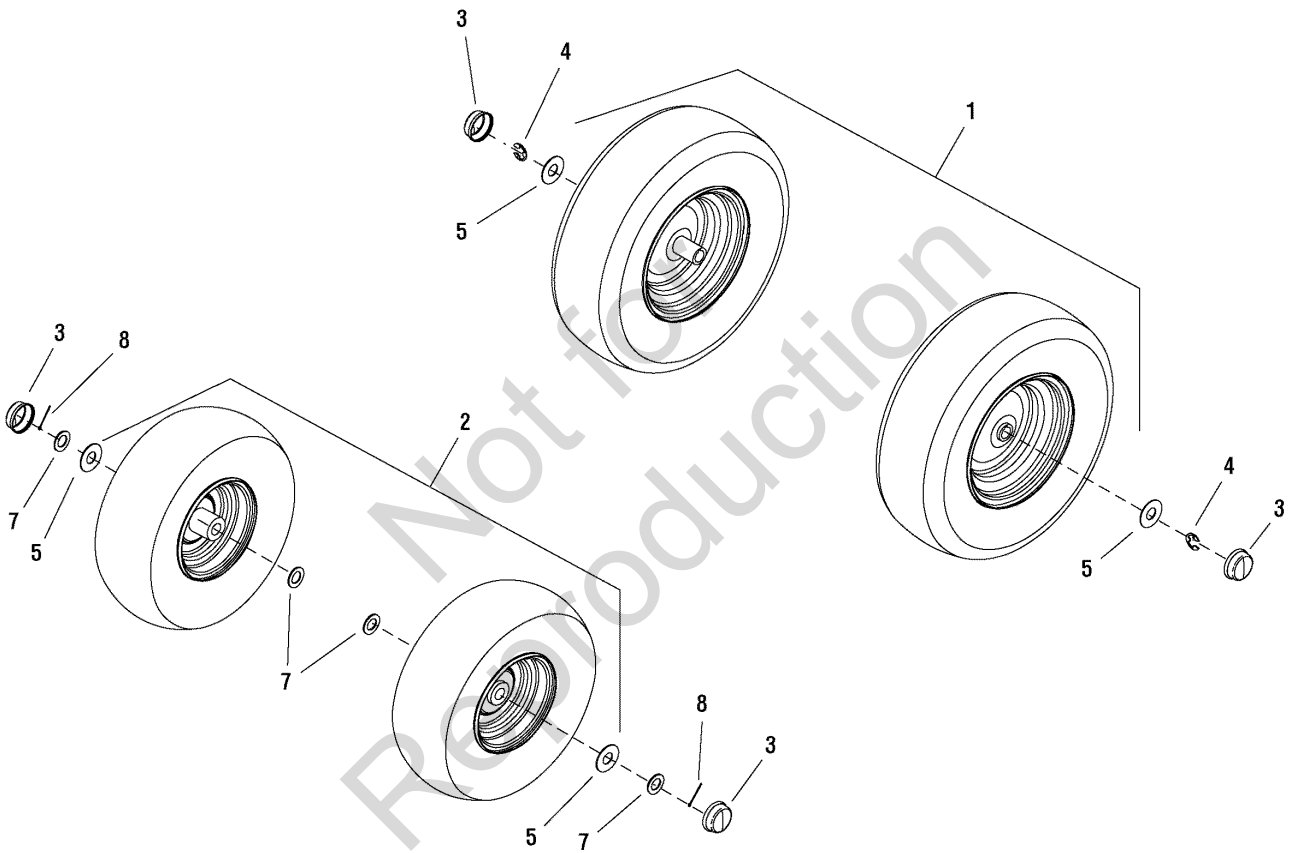
7800355 - Coronet RD

7800358 - Coronet RD

7800359 - Coronet RD

Wheel & Tire Group

NOTE: Unless noted otherwise,
use the standard hardware torque
specification chart.



The above parts group applies to the following Mfg. Nos.:

7800354 - Coronet RD

7800355 - Coronet RD

7800358 - Coronet RD

7800359 - Coronet RD

Wheel & Tire Group

REF NO	PART NO.	QTY.	DESCRIPTION
1	885029	2	REAR TIRE ASSY - 16/650
2	885028	2	FRONT TIRE ASSY - 13/500
3	721318	4	HUB CAP
4	720010	2	RING- -E-.750D-.050T
5	722620	4	WASHER - FLAT
7	722617	4	WASHER - FLAT
8	720390	2	PIN-COTTER.13D-.880L

Not for
Reproduction

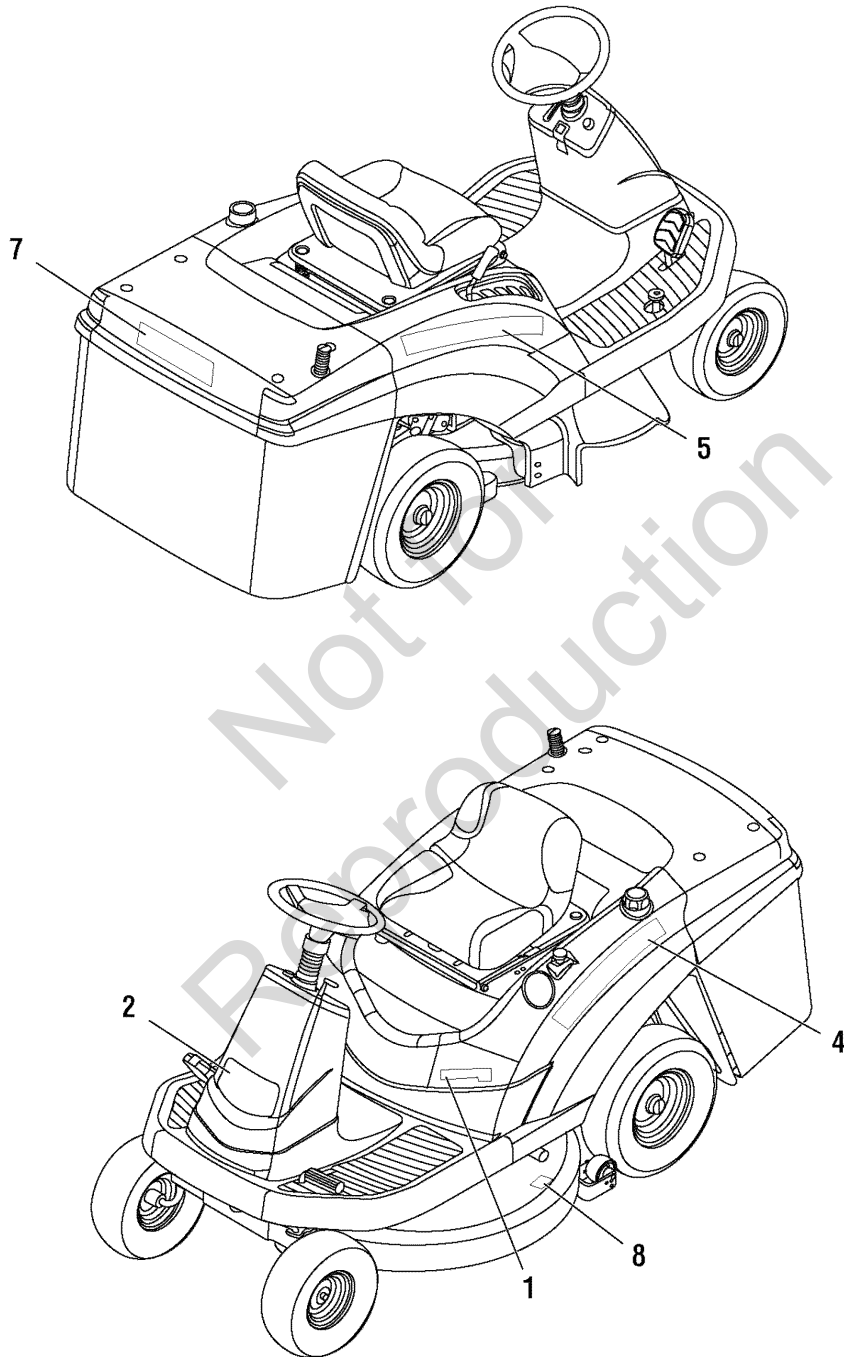
Footnotes

The above parts group applies to the following Mfg. Nos.:

7800354 - Coronet RD
7800355 - Coronet RD
7800358 - Coronet RD
7800359 - Coronet RD

Decals Group - Brand & Model

NOTE: Unless noted otherwise,
use the standard hardware torque
specification chart.



The above parts group applies to the following Mfg. Nos.:

- 7800354 - Coronet RD
- 7800355 - Coronet RD
- 7800358 - Coronet RD
- 7800359 - Coronet RD

Decals Group - Brand & Model

REF NO	PART NO.	QTY.	DESCRIPTION
1	885206	1	DECAL, Model Name 15.5 HP 15.5HP MODELS ONLY
1	885219	1	DECAL, Model Name 17.5 HP 17.5HP MODELS ONLY
2	885207	1	DECAL, Nose
4	885208	1	DECAL, Stripe, LH
5	885209	1	DECAL, Stripe, RH
7	1722551	1	DECAL, Bagger Cover
8	885204	1	DECAL, Deck Width

Not for
Reproduction

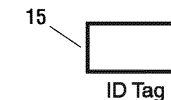
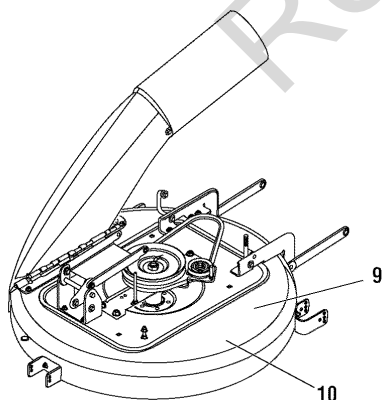
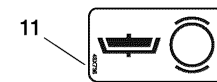
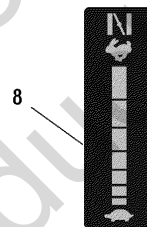
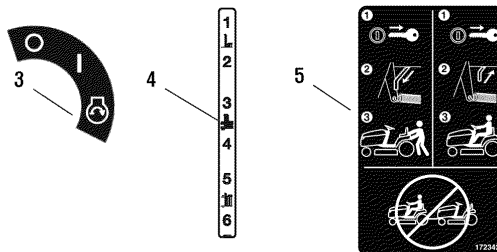
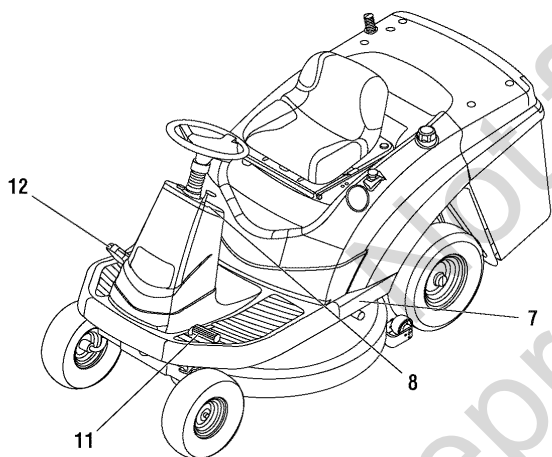
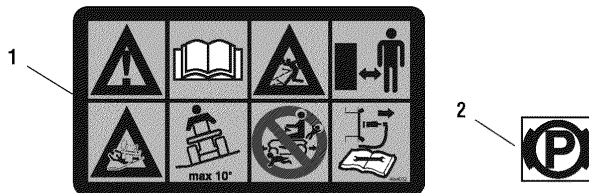
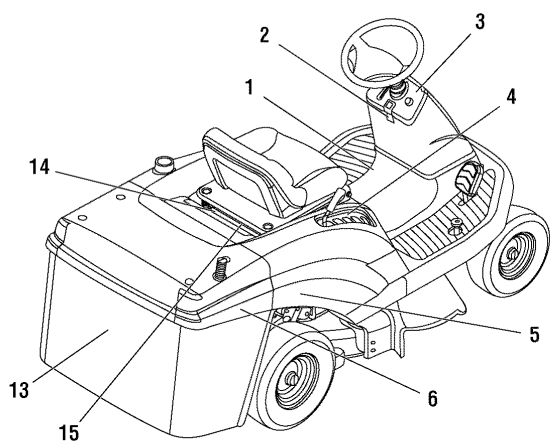
Footnotes

The above parts group applies to the following Mfg. Nos.:

7800354 - Coronet RD
7800355 - Coronet RD
7800358 - Coronet RD
7800359 - Coronet RD

Decals Group - Common & Safety

NOTE: Unless noted otherwise, use the standard hardware torque specification chart.



The above parts group applies to the following Mfg. Nos.:

- 7800354 - Coronet RD
- 7800355 - Coronet RD
- 7800358 - Coronet RD
- 7800359 - Coronet RD

Decals Group - Common & Safety

REF NO	PART NO.	QTY.	DESCRIPTION
1	48x4032	1	DECAL - Operating Instructions
2	48x726	1	DECAL - Parking Brake
3	1722806	1	DECAL - Ignition Switch
4	885170	1	DECAL - Cutting Height
5	1723425	1	DECAL - Roll Release
6	1721107	1	DECAL - Discharge Tube
7	885216	1	DECAL - Hot Surface
8	885171	1	DECAL - Throttle Control
9	885218	1	DECAL - Fire Hazard
10	885217	1	DECAL - Sever Hazard
11	48x736	1	DECAL - Brake/Clutch
12	885169	1	DECAL - Speed Control
13	48x511	1	DECAL - Draw Bar Load
14	48x5911	1	DECAL - Noise Level
15	*	1	ID TAG

Not for
Reproduction

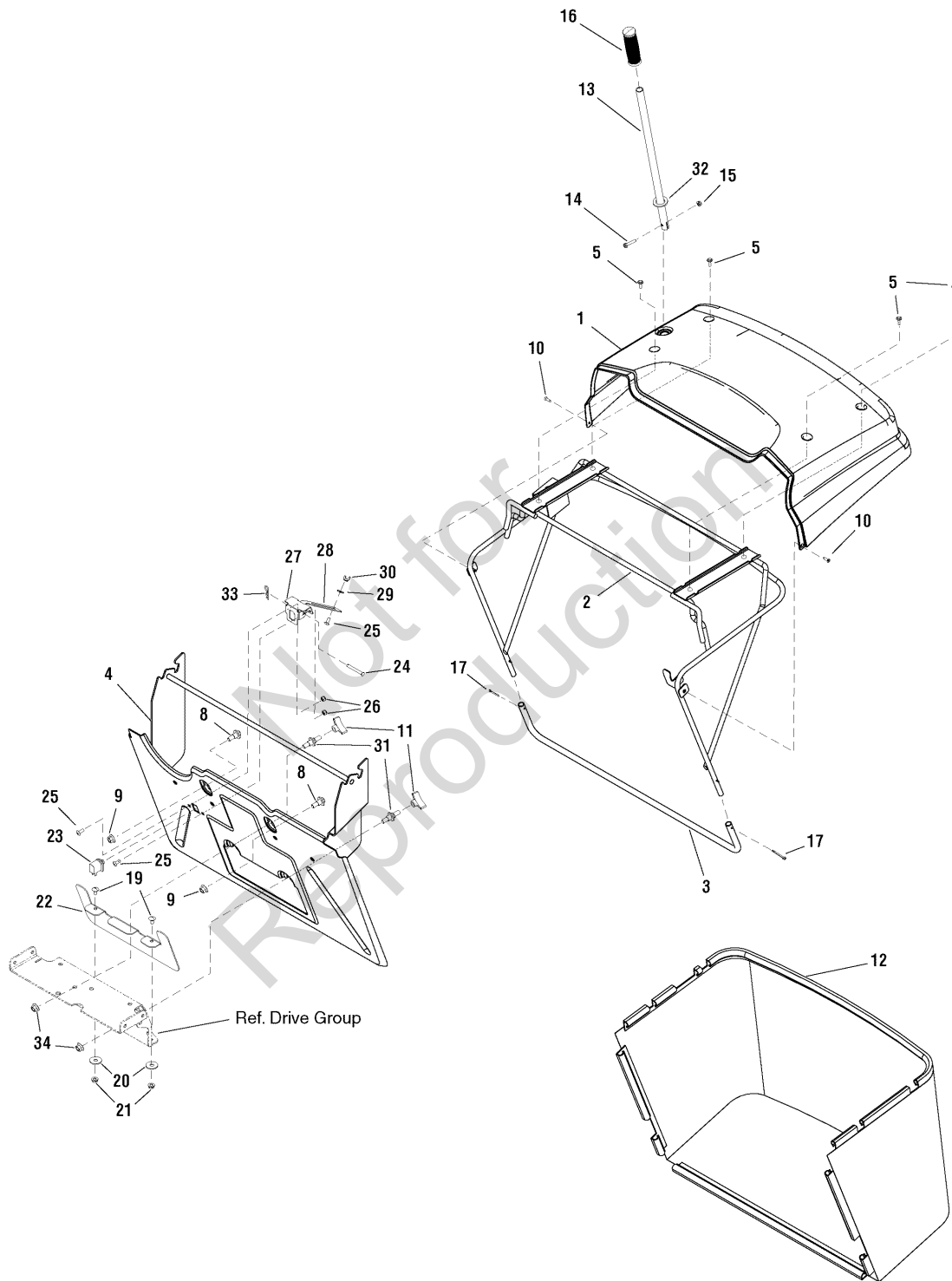
Footnotes

The above parts group applies to the following Mfg. Nos.:

7800354 - Coronet RD
7800355 - Coronet RD
7800358 - Coronet RD
7800359 - Coronet RD

Bagger Group

NOTE: Unless noted otherwise,
use the standard hardware torque
specification chart.



The above parts group applies to the following Mfg. Nos.:

- 7800354 - Coronet RD
- 7800355 - Coronet RD
- 7800358 - Coronet RD
- 7800359 - Coronet RD

Bagger Group

REF NO	PART NO.	QTY.	DESCRIPTION
1	885025	1	BAGGER COVER - SIMPLICITY
2	885097A	1	BAG FRAME ASSY
3	885099A	1	BAG FRAME LOWER
4	885082A	1	WW REAR PLATE - BAGGER ASSY
5	885131	4	SCREW, SELF TAP
8	885114	2	BOLT - SHOULDER
9	720606	2	NUT
10	885129	2	SCREW - BAGGER COVER
11	725489	2	KNOB
12	885098	1	BAG
13	885162A	1	HANDLE, BAGGER
14	720033	1	SCREW
15	720146	1	NUT
16	721994	1	GRIP
17	720387	2	COTTER PIN
19	720049	2	CARRIAGE BOLT
20	720609	2	WASHER
21	720145	2	NUT
22	722004	1	BAFFLE, RUBBER
23	1720411	1	SWITCH - BAG FULL
24	1960607	1	PIN
25	720057	3	CARRIAGE BOLT
26	722393	2	NUT
27	1727427A	1	BRACKET - BAG FULL
28	1727428A	1	LEVER - BAG FULL INFCATOR
29	720159	1	WASHER
30	720123	1	WINGNUT
31	885065	2	SCREW, SELF TAPPING
32	722620	1	WASHER, HANDLE
33	1960221	1	HAIRPIN
34	720145	2	NUT

Footnotes

The above parts group applies to the following Mfg. Nos.:

7800354 - Coronet RD

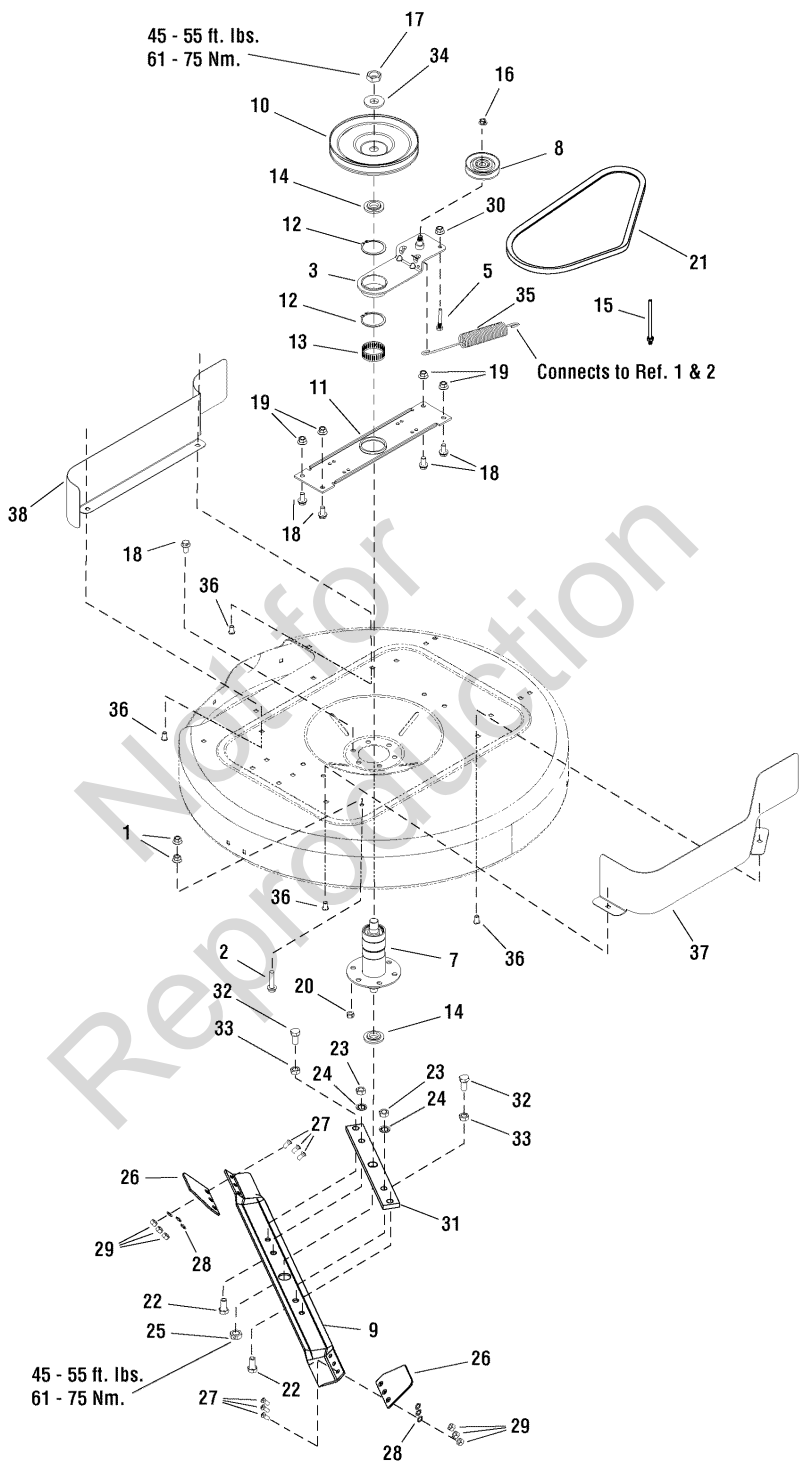
7800355 - Coronet RD

7800358 - Coronet RD

7800359 - Coronet RD

33" Mower Deck - Arbors Group

NOTE: Unless noted otherwise,
use the standard hardware torque
specification chart.



The above parts group applies to the following Mfg. Nos.:

- 7800354 - Coronet RD
- 7800355 - Coronet RD
- 7800358 - Coronet RD
- 7800359 - Coronet RD

33" Mower Deck - Arbors Group

REF NO	PART NO.	QTY.	DESCRIPTION
1	720145	2	NUT.31-18 HEX FLG CTRLKZ
2	7090700	1	BOLT
3	885073C	1	BLADE IDLER BRACKET - EXPORT
5	721293	1	BELT GUIDE
7	7052917C	1	SPINDLE ASSY
8	722009	1	IDLER PULLEY - B/D
9	7019523	1	BLADE, 33"
10	885019	1	PULLEY, 33" INPUT
11	7038018C	1	SPINDLE BRACE
12	7010740	2	RING, RETAINING
13	7012670	1	TOLERANCE RING
14	7014407	2	SPINDLE WASHER
15	885078A	1	GUIDE, BELT LONG
16	720148	1	NUT.38-16 FLANGELOCK ZINC
17	7074467	1	NUT.75-16 HEX JAM
18	7091588	10	BOLT 3/8-16
19	7091619	4	LOCKNUT 3/8-16
20	7091585	6	NUT
21	885018	1	BELT, 33" BLADE DRIVE
22	7090392	2	BOLT 1/2-20X1.25
23	7090559	2	NUT 1/2-20
24	7090509	2	LOCKWASHER
25	7090356	1	NUT
26	885054C	2	33" AIR LIFT
27	7090228	6	SCREW
28	7090391	6	WASHER
29	7091297	6	NUT
30	720139	1	NUT.31-18 HEX FLG SERLKZ
31	7037751C	1	HOLDER, BLADE
32	7090491	2	BOLT
33	7091939	2	NUT
34	7032028	1	WASHER
35	885221	1	SPRING, EXTENSION PTO
36	720049	4	CARRIAGE BOLT
37	885133C	1	GUARD - LH (For use on Models 7800355 & 7800358 Only)
38	885132C	1	GUARD - RH (For use on Models 7800355 & 7800358 Only)

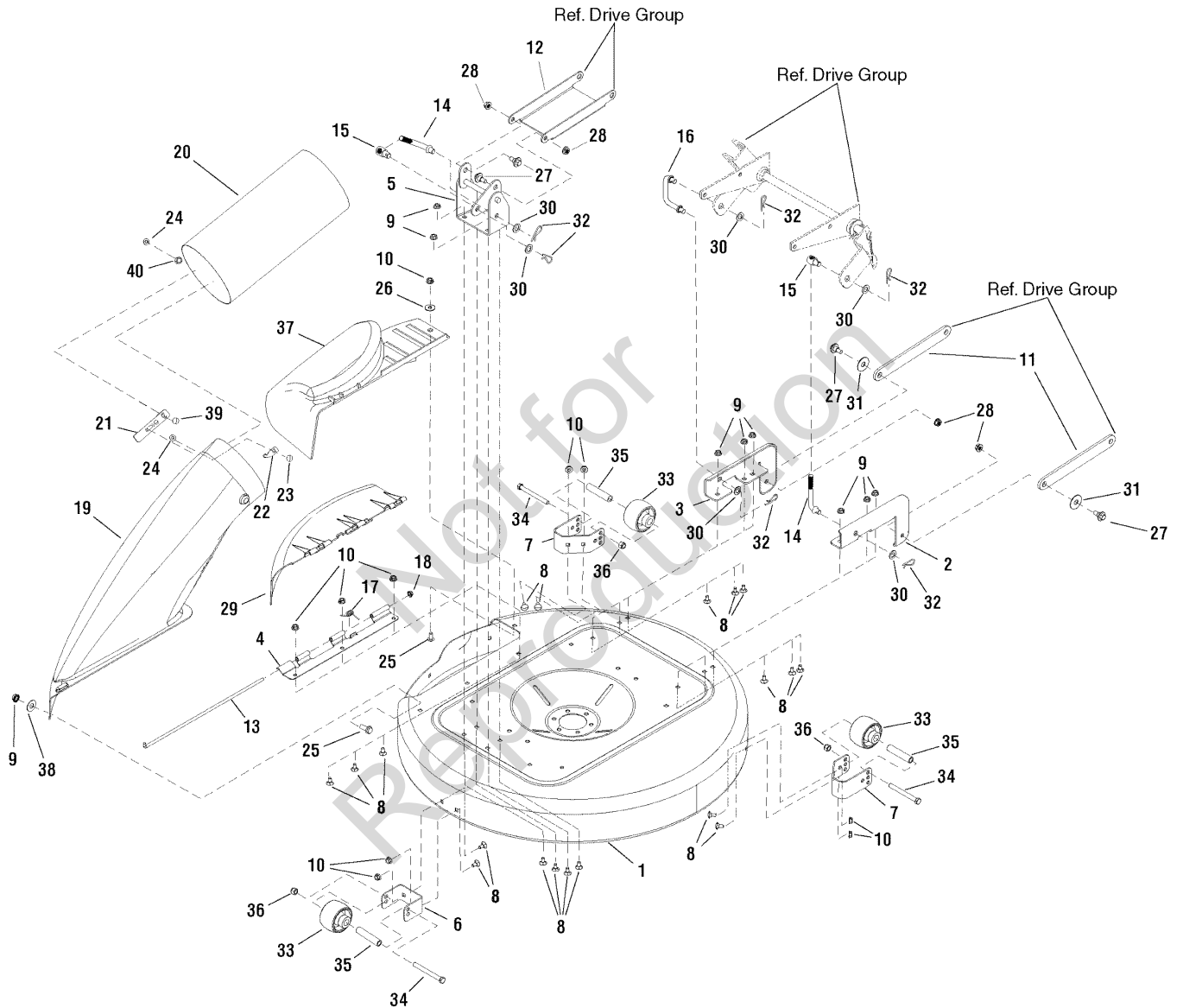
Footnotes

The above parts group applies to the following Mfg. Nos.:

7800354 - Coronet RD
7800355 - Coronet RD
7800358 - Coronet RD
7800359 - Coronet RD

33" Mower Deck - Housing & Arbors Group

NOTE: Unless noted otherwise,
use the standard hardware torque
specification chart.



The above parts group applies to the following Mfg. Nos.:

- 7800354 - Coronet RD
- 7800355 - Coronet RD
- 7800358 - Coronet RD
- 7800359 - Coronet RD

33" Mower Deck - Housing & Arbors Group

REF NO	PART NO.	QTY.	DESCRIPTION
1	885232C	1	BLADE HOUSING KIT, 33" (Kit Includes Safety Decals)
2	885045C	1	BRACKET, TOP DECK LH
3	885047C	1	BRKT, TOP DECK RH
4	885094C	1	HINGE - MULCHING COVER
5	885075C	1	ADJUST PLATE ASSY
6	7033570C	1	FRT. ANTI SCALP BRACKET
7	7033571C	2	REAR ANTI SCALP BRACKET
8	720049	19	BOLT-CRG.31-18X0.62
9	720139	13	NUT.31-18 HEX FLG SERLKZ
10	720145	9	NUT.31-18 HEX FLG CTRLKZ
11	885039C	2	ARM, REAR
12	885052C	1	HANGER, FRONT
13	7026234	1	ROD DEFLECTOR
14	885046	2	ADJ. LIFT LINK ROD
15	885115	2	NUT, ADJUSTING
16	885105	1	ROD, LIFT - FIXED
17	885227	1	SPRING - DEFLECTOR
18	7026483	1	PUSH CAP
19	885005	1	REAR DISCHARGE CHUTE
20	885066	1	UPPER CHUTE EXTENSION
21	720552	1	RUBBER STRAP
22	720543	1	PIN
23	720048	1	BOLT, CARRIAGE 1/4"
24	720146	1	NUT
25	720053	3	BOLT-CRG.31-18X0.75
26	720161	1	WASHER
27	720104	4	BOLT SHOULDER
28	720142	4	NUT.38-16 HEX FLG CTRLKZ
29	885016	1	COVER, MULCH
30	722578	6	WASHER
31	722585	2	WASHER.51-1.5 16G FL
32	720069	6	PIN-HAIR .56D-.092T
33	7019190	3	ANTI SCALP WHEELS
34	7091532	3	BOLT
35	7015272	3	SLEEVE
36	7091518	3	NUT
37	885093	1	DEFLECTOR, CHUTE
38	720163	2	WASHER .34.62 16G FLT
39	720076	1	BOLT
40	720132	1	NUT

Footnotes

The above parts group applies to the following Mfg. Nos.:

7800354 - Coronet RD

7800355 - Coronet RD

7800358 - Coronet RD

7800359 - Coronet RD

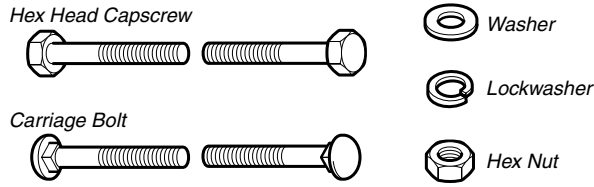
Not for
Reproduction

Not for
Reproduction

Not for
Reproduction

Hardware Identification & Torque Specifications

Common Hardware Types

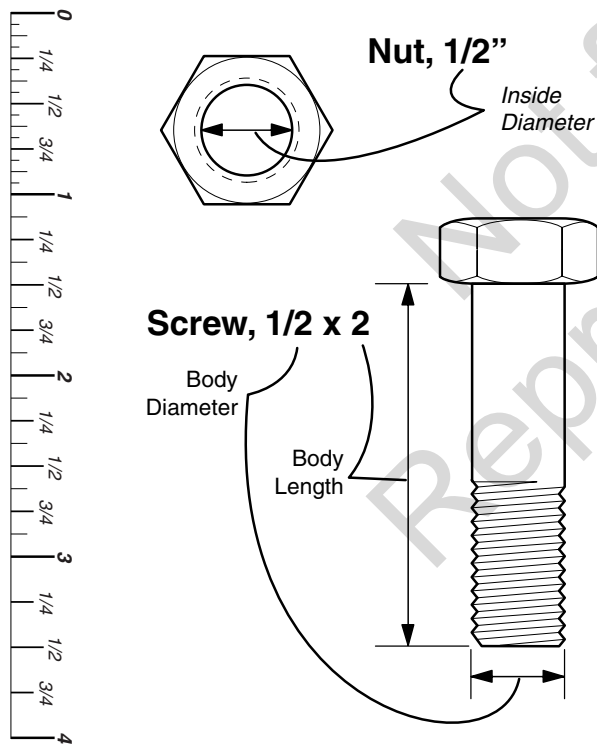


Standard Hardware Sizing

When a washer or nut is identified as 1/2", this is the *Nominal size*, meaning the *inside diameter* is 1/2 inch; if a second number is present it represents the *threads per inch*

When bolt or capscrew is identified as 1/2 - 16 x 2", this means the *Nominal size*, or *body diameter* is 1/2 inch; the second number represents the *threads per inch* (16 in this example, and the final number is the *body length* of the bolt or screw (in this example 2 inches long).

The guides and ruler furnished below are designed to help you select the appropriate hardware and tools.



Torque Specification Chart						
FOR STANDARD MACHINE HARDWARE (Tolerance ± 20%)						
Hardware Grade	No Marks SAE Grade 2		SAE Grade 5		SAE Grade 8	
	in/lbs ft/lbs	Nm.	in/lbs ft/lbs	Nm.	in/lbs ft/lbs	Nm.
8-32	19	2.1	30	3.4	41	4.6
8-36	20	2.3	31	3.5	43	4.9
10-24	27	3.1	43	4.9	60	6.8
10-32	31	3.5	49	5.5	68	7.7
1/4-20	66	7.6	8	10.9	12	16.3
1/4-28	76	8.6	10	13.6	14	19.0
5/16-18	11	15.0	17	23.1	25	34.0
5/16-24	12	16.3	19	25.8	27	34.0
3/8-16	20	27.2	30	40.8	45	61.2
3/8-24	23	31.3	35	47.6	50	68.0
7/16-14	30	40.8	50	68.0	70	95.2
7/16-20	35	47.6	55	74.8	80	108.8
1/2-13	50	68.0	75	102.0	110	149.6
1/2-20	55	74.8	90	122.4	120	163.2
9/16-12	65	88.4	110	149.6	150	204.0
9/16-18	75	102.0	120	163.2	170	231.2
5/8-11	90	122.4	150	204.0	220	299.2
5/8-18	100	136	180	244.8	240	326.4
3/4-10	160	217.6	260	353.6	386	525.0
3/4-16	180	244.8	300	408.0	420	571.2
7/8-9	140	190.4	400	544.0	600	816.0
7/8-14	155	210.8	440	598.4	660	897.6
1-8	220	299.2	580	788.8	900	1,244.0
1-12	240	326.4	640	870.4	1,000	1,360.0

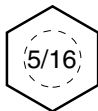
NOTES

- These torque values are to be used for all hardware excluding: locknuts, self-tapping screws, thread forming screws, sheet metal screws and socket head setscrews.
- Recommended seating torque values for locknuts:
 - for prevailing torque locknuts - use 65% of grade 5 torques.
 - for flange whizlock nuts and screws - use 135% of grade 5 torques.
- Unless otherwise noted on assembly drawings, all torque values must meet this specification.

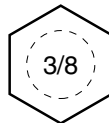
Wrench & Fastener Size Guide



1/4" Bolt or Nut
Wrench—7/16"



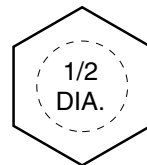
5/16" Bolt or Nut
Wrench—1/2"



3/8" Bolt or Nut
Wrench—9/16"



7/16" Bolt or Nut
Wrench (Bolt)—5/8"
Wrench (Nut)—11/16"



1/2" Bolt or Nut
Wrench—3/4"

Not for
Reproduction

Simplicity

MANUFACTURING, INC.
500 N. Spring Street / PO Box 997
Port Washington, WI 53074-0997 USA

www.simplicitymfg.com

Briggs and Stratton Yard Power Products Group
Copyright © 2008 by Briggs and Stratton Corporation
Milwaukee, WI, USA. All rights reserved

